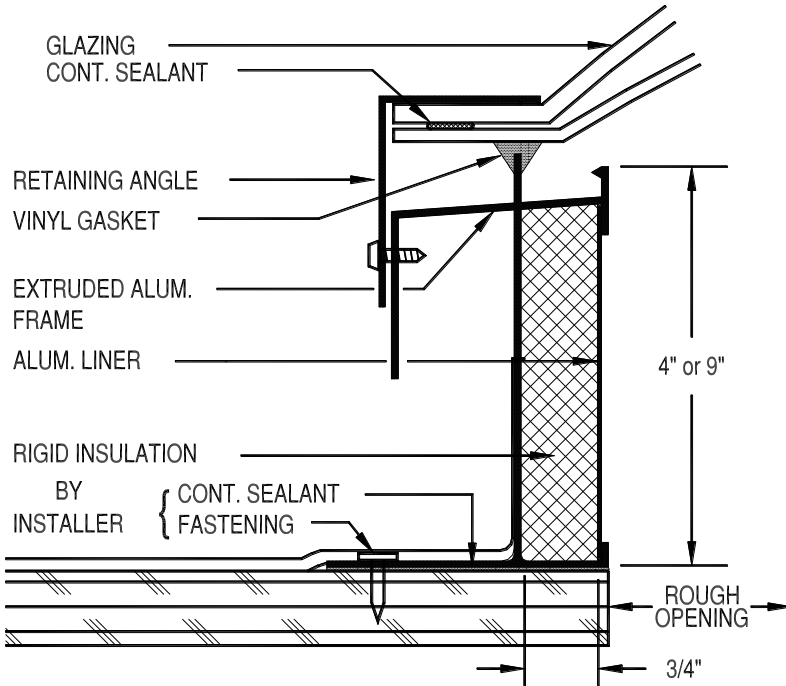
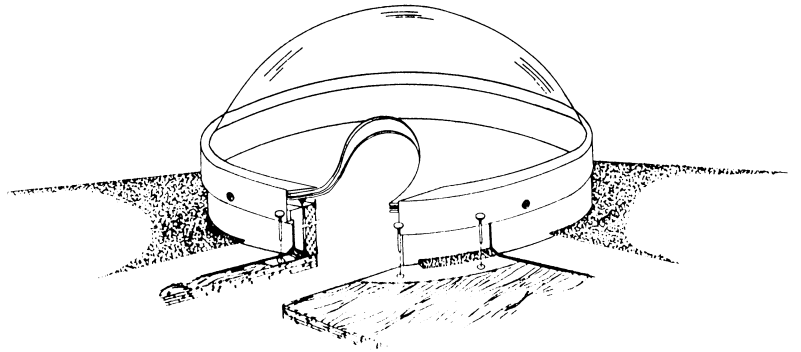




CIRCULAR DOME INSULATED CURB DOUBLE GLAZED

CDICD
SCALE 6" = 1'



CIRCLE THE SIZE DESIRED.

MODEL CDICD	NOMINAL SIZES IN FEET	R/O INSIDE FRAME DIAMETER
48	4	43"
60	5	54"
72	6	67"
96	8	91"

SPECIFICATIONS

COMPLETE THE BLANKS BELOW WITH YOUR DESIRED SPECIFICATIONS.

Skylights shall be self-flashing as manufactured by SKYLINE SKY-LITES, 2925 Delta Drive, Colorado Springs, CO 80910, (866)625-1330. Skylights shall be model CDICD with thermally formed dual acrylic glazings, [bronze / clear] _____ outer dome over a [clear / white] _____ inner dome. Self-flashing insulated curb frame shall be [4" / 9"] _____" tall fabricated from .040" aluminum exterior wall, 3/4" thick rigid insulation and a .025" aluminum well liner to match frame finish. Mounting flange to be 2" wide. Skylight frame shall be of 6063-T5 aluminum with a .070" thick base frame and a .062" thick retaining angle. Frame finish shall be [bronze anodized / clear anodized / natural aluminum (mill)] _____. Vinyl gasket shall be used between the frame and the glazing to form a tight seal. A continuous silicone sealant shall be used between glazings. Weep holes shall be provided in the frame. Skylight shall be completely assembled by the manufacturer and ready for installation directly to sheathing by others.

I hereby certify that all quantities, dimensions and conditions shown on this drawing are correct as shown or as corrected.

SIGNATURE DATE
REPRESENTING _____

PROJECT: _____

CUSTOMER: _____

CONTRACTOR: _____

QUAN/MODEL: _____