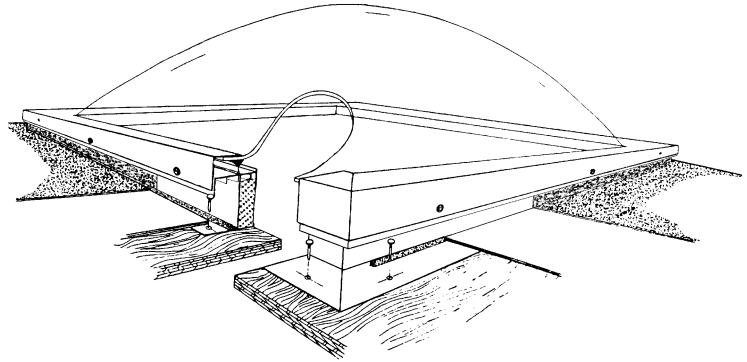




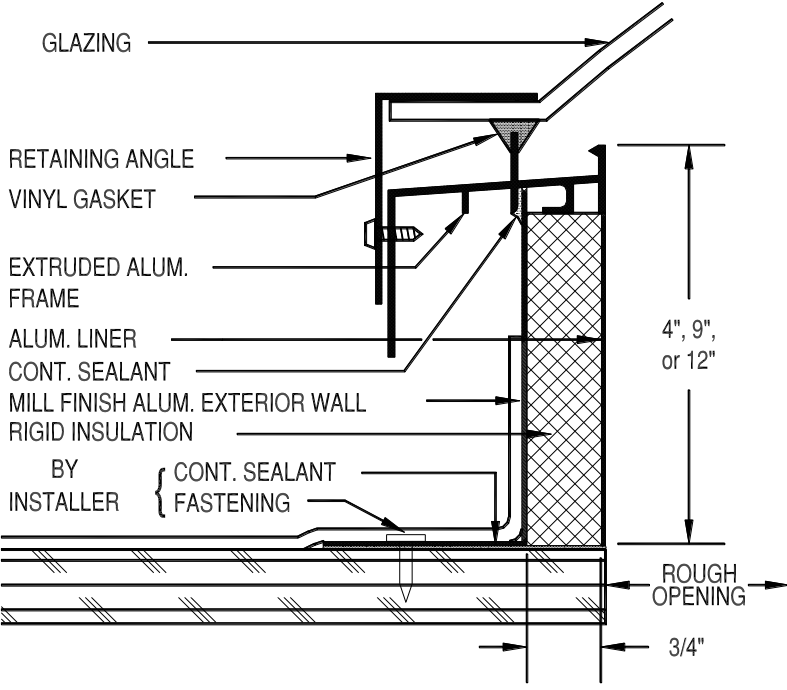
DOME INSULATED CURB SINGLE GLAZED

DICS
SCALE 6" = 1'



CIRCLE THE SIZE DESIRED.

MODEL DICS	ROUGH OPENINGS
2028	14 1/2 x 22 1/2
2052	14 1/2 x 46 1/2
2828	22 1/2 x 22 1/2
2841	22 1/2 x 35 1/4
2852	22 1/2 x 46 1 2
2876	22 1/2 x 69 3/4
2896	22 1/2 x 89 3/4
3636	30 1/2 x 30 1/2
3652	30 1/2 x 46 1/2
3660	30 1/2 x 55 1/4
3676	30 1/2 x 69 3/4
3696	30 1/2 x 89 3/4
4242	37 1/4 x 37 1/4
5252	46 1/2 x 46 1/2
5276	46 1/2 x 69 3/4
5296	46 1/2 x 89 3/4
6060	55 1/4 x 55 1/4
7676	69 3/4 x 69 3/4
7696	69 3/4 x 89 3/4
8080	75 1/4 x 75 1/4
9898	92 3/4 x 92 3/4



CUSTOM SIZES
are available upon request.

SPECIFICATIONS

COMPLETE THE BLANKS BELOW WITH YOUR DESIRED SPECIFICATIONS.

Skylights shall be self-flashing as manufactured by SKYLINE SKY-LITES, 2925 Delta Drive, Colorado Springs, CO 80910, (866)625-1330. Skylights shall be model DICS with a thermally formed single, [clear / bronze / white] _____ acrylic dome glazing. Self-flashing insulated curb frame shall be [4" / 9" / 12"] _____" tall fabricated from .040" mill finish aluminum exterior wall, 3/4" thick rigid insulation and an .025" aluminum well liner to match frame finish. Mounting flange to be 2" wide. Skylight frame shall be of 6063-T5 aluminum with a .070" thick base frame and a .062" thick retaining angle. Frame finish shall be [bronze anodized / clear anodized / natural aluminum (mill)] _____. All corners shall be welded. Vinyl gasket shall be used between the frame and the glazing to form a tight seal. Weep holes shall be provided in the frame. Skylight shall be completely assembled by the manufacturer and ready for installation directly to sheathing by others.

I hereby certify that all quantities, dimensions and conditions shown on this drawing are correct as shown or as corrected.

SIGNATURE DATE
REPRESENTING

PROJECT: _____

CUSTOMER: _____

CONTRACTOR: _____

QUAN/MODEL: _____