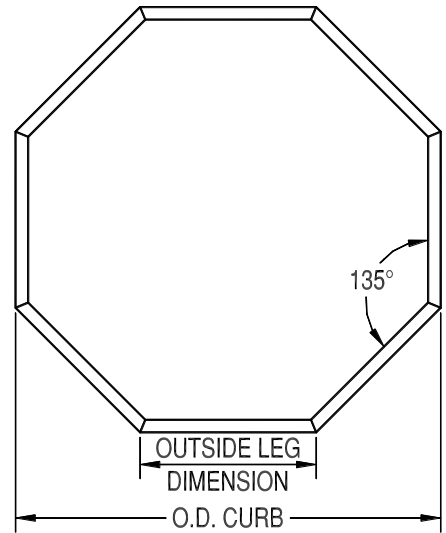
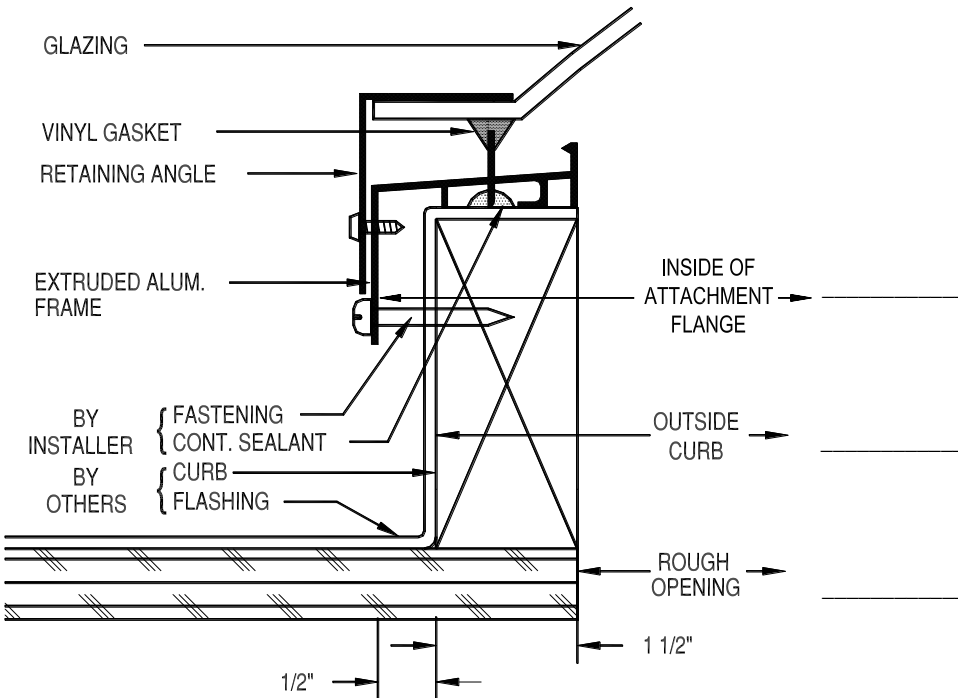
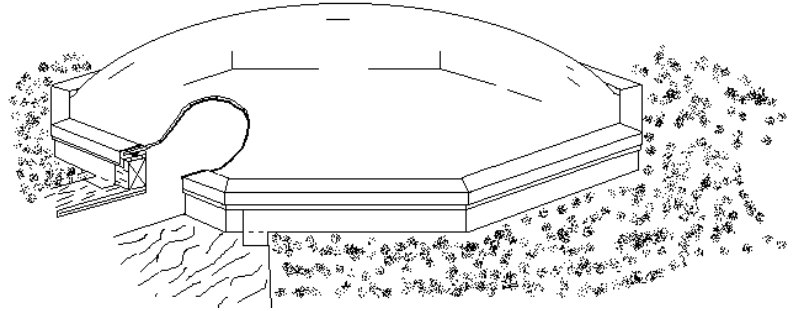




**OCTAGON DOME
CURB MOUNTED
SINGLE GLAZED**

OC-DCMS
SCALE 6" = 1'



CIRCLE THE SIZE DESIRED.

MODEL OC-DCMD	O.D. CURB	LEG OUTSIDE LENGTH
28	25 1/2"	10 9/16"
52	49 1/2"	20 1/2"
76	72 3/4"	30 1/8"
98	95 3/4"	39 11/16"

CUSTOM SIZES

are available upon request.

SPECIFICATIONS

COMPLETE THE BLANKS BELOW WITH YOUR DESIRED SPECIFICATIONS.

Skylights shall be curb-mounted as manufactured by SKYLINE SKY-LITES, 2925 Delta Drive, Colorado Springs, CO 80910, (866)625-1330. Skylights shall be model OC-DCMS glazed with a thermally formed single [clear / bronze / white] _____ acrylic dome glazing. Curb frame shall be of 6063-T5 aluminum with a .070" thick base frame and a .062" thick retaining angle. Frame finish shall be [bronze / clear] _____ outer dome over a [clear / white] _____ inner dome. All corners shall be welded. Vinyl gasket shall be used between the frame and the glazing to form a tight seal. Weep holes shall be provided in the frame. Skylight shall be completely assembled by the manufacturer and ready for installation directly over curb as provided by others.

I hereby certify that all quantities, dimensions and conditions shown on this drawing are correct as shown or as corrected.

 SIGNATURE DATE
 REPRESENTING _____

PROJECT: _____
CUSTOMER: _____
CONTRACTOR: _____
QUAN/MODEL: _____