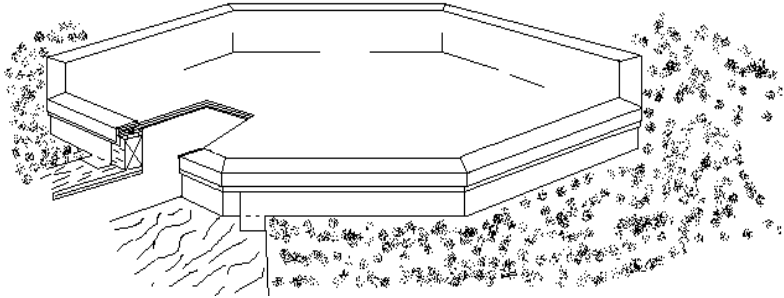


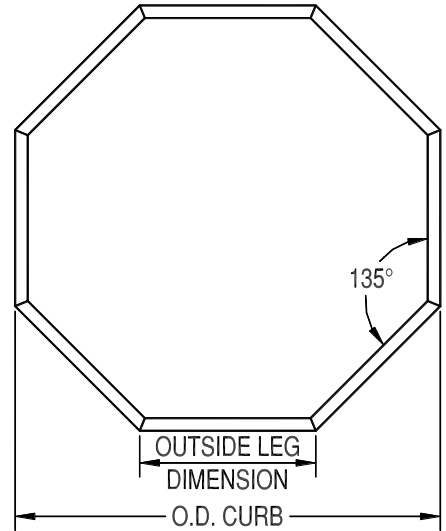
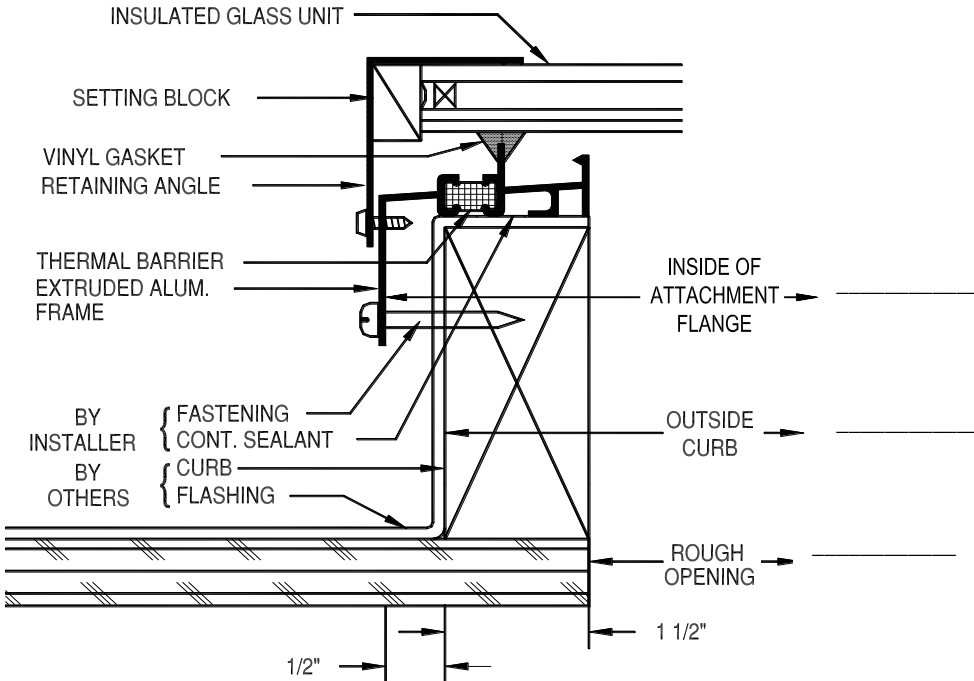


OCTAGON THERMALLY BROKEN FLAT CURB MOUNTED DOUBLE GLAZED



OC-TFCMD

SCALE 6" = 1'



CIRCLE THE SIZE DESIRED.

MODEL	O.D. CURB	OUTSIDE LEG LENGTH
OC-TFCMD 28	25 1/2"	10 9/16"
52	49 1/2"	20 1/2"
76	72 3/4"	30 1/8"
98	95 3/4"	39 11/16"

CUSTOM SIZES

are available upon request.

SPECIFICATIONS

COMPLETE THE BLANKS BELOW WITH YOUR DESIRED SPECIFICATIONS.

Skylights shall be curb-mounted as manufactured by SKYLINE SKY-LITES, 2925 Delta Drive, Colorado Springs, CO 80910, (866)625-1330. Skylights shall be model OC-TFCMD glazed with a dual pane insulating glass, clear tempered with low E outer lite over a clear laminated inner lite. Curb frame shall be of 6063-T5 aluminum with a .070" thick base frame, incorporating a poured in place polyurethane thermal barrier, and a .062" thick retaining angle. Frame finish shall [bronze anodized / clear anodized / natural aluminum (mill)]. All corners shall be welded. Vinyl gasket shall be used between the frame and the glazing to form a tight seal. Weep holes shall be provided in the frame. A continuous silicone sealant shall be used between glazings. Skylight shall be completely assembled by the manufacturer and ready for installation directly over curb as provided by others.

I hereby certify that all quantities, dimensions and conditions shown on this drawing are correct as shown or as corrected.

SIGNATURE DATE
REPRESENTING _____

PROJECT: _____
CUSTOMER: _____
CONTRACTOR: _____
QUAN/MODEL: _____