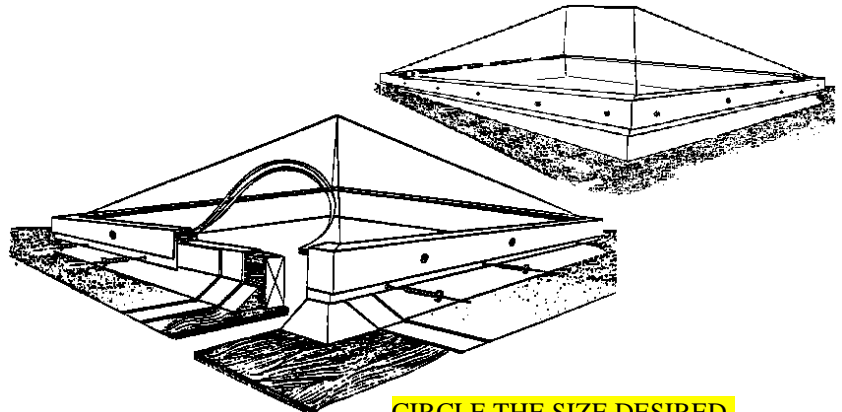


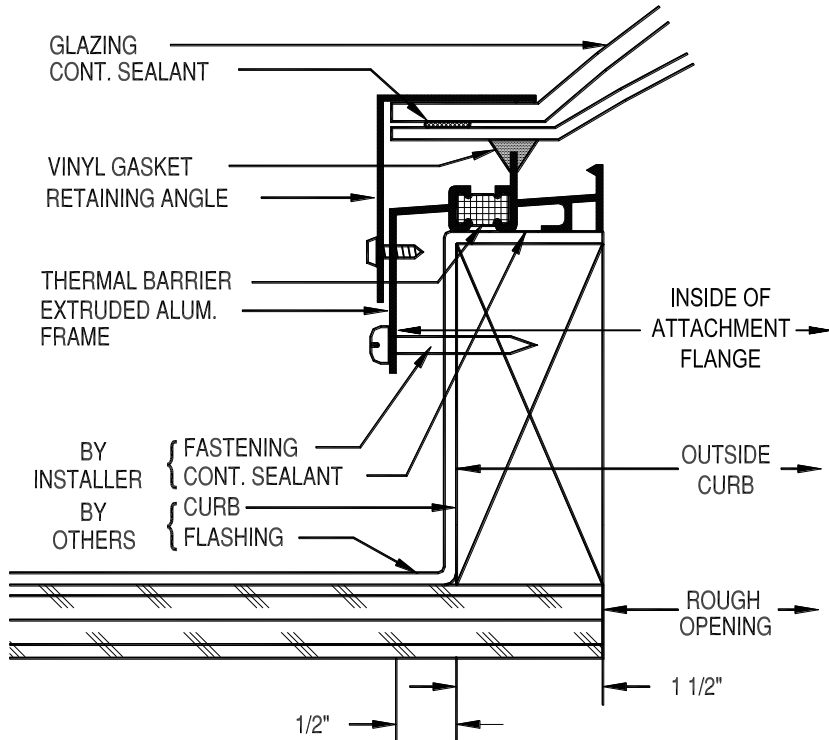


**THERMALLY BROKEN
PYRAMID
CURB MOUNTED
DOUBLE GLAZED**



TPCMD
SCALE 6" = 1'

CIRCLE THE SIZE DESIRED.



MODEL TPCMD	ROUGH OPENINGS
2028	14 1/2 x 22 1/2
2052	14 1/2 x 46 1/2
2828	22 1/2 x 22 1/2
2841	22 1/2 x 35 1/4
2852	22 1/2 x 46 1/2
2876	22 1/2 x 69 3/4
2896	22 1/2 x 89 3/4
3636	30 1/2 x 30 1/2
3652	30 1/2 x 46 1/2
3660	30 1/2 x 55 1/4
3676	30 1/2 x 69 3/4
3696	30 1/2 x 89 3/4
4242	37 1/4 x 37 1/4
5252	46 1/2 x 46 1/2
5276	46 1/2 x 69 3/4
5296	46 1/2 x 89 3/4
6060	55 1/4 x 55 1/4
7676	69 3/4 x 69 3/4
7696	69 3/4 x 89 3/4
8080	75 1/4 x 75 1/4
9898	92 3/4 x 92 3/4

CUSTOM SIZES
are available upon request.

SPECIFICATIONS

COMPLETE THE BLANKS BELOW WITH YOUR DESIRED SPECIFICATIONS.

Skylights shall be curb-mounted as manufactured by SKYLINE SKY-LITES, 2925 Delta Drive, Colorado Springs, CO 80910, (866)625-1330. Skylight shall be model TPCMD with thermally formed dual acrylic glazings, 6/12 pitch, [bronze / clear] _____ outer pyramid over [clear / white] _____ inner pyramid. Curb frame shall be of 6063-T5 aluminum with a .070" thick base frame, incorporating a poured in place polyurethane thermal barrier, and a .062" thick retaining angle. Frame finish shall be [bronze anodized / clear anodized / natural aluminum (mill)] _____. All corners shall be welded. Vinyl gasket shall be used between the frame and the glazing to form a tight seal. Weep holes shall be provided in the frame. A continuous silicone sealant shall be used between glazings. Skylight shall be completely assembled by the manufacturer and ready for installation directly over curb as provided by others.

I hereby certify that all quantities, dimensions and conditions shown on this drawing are correct as shown or as corrected.

SIGNATURE DATE
REPRESENTING _____

PROJECT: _____
CUSTOMER: _____
CONTRACTOR: _____
QUAN/MODEL: _____